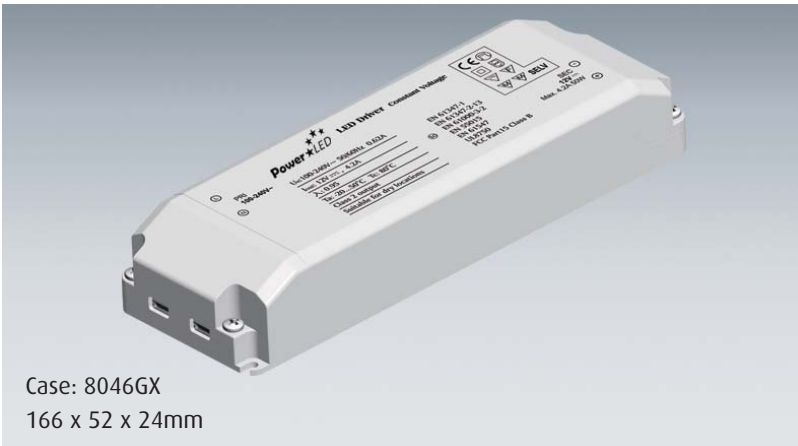
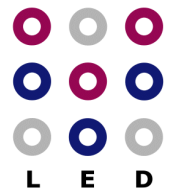


PCV36W Series

36W Non IP Constant Voltage Power Supplies



Case: 8046GX
166 x 52 x 24mm

Features

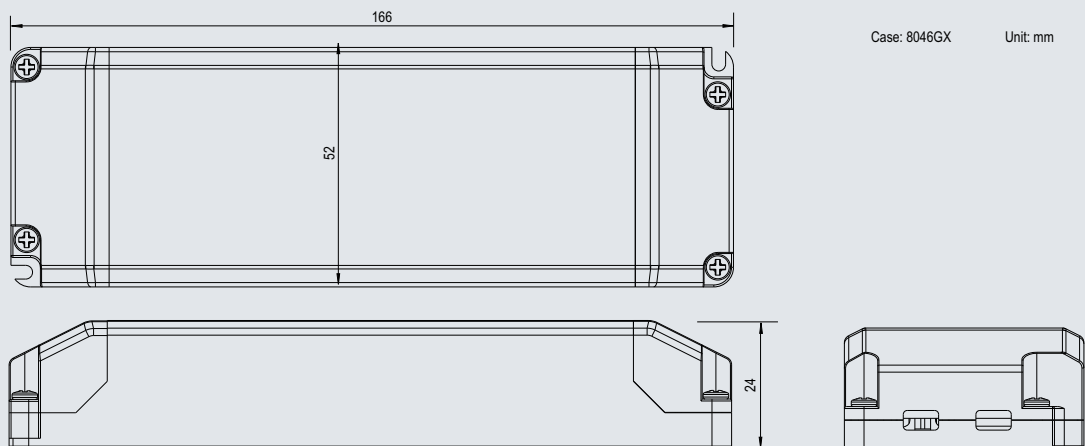
- Captive terminal screws for ease
- Snap lock cable strain relief
- Over load, short circuit and thermal protection
- SELV equivalent
- Class II product
- Safe no load operation
- Suitable for indoor lighting applications



Specification

INPUT	Voltage	100~240VAC	
	Frequency	47-----63Hz	
	Power Factor	0.95	
OUTPUT	MODEL No.	PCV1236	PCV2436
	Voltage	12V	24V
	Current	3A	1.5A
	Power	36W	36W
	R&N	300mV	500mV
	Efficiency	82%	84%
	PROTECTIONS	Over Load	Auto recovery
	Over Temperature	Thermal	
ELEC. CHAR.	Set Up Time	2s max.	
ENVIRONMENT	Temperature	Operating: -20~+50°C; Storage: -20~+70°C	
SAFETY	Safety Standard	Designed to meet EN61347-1, EN61347-2-13	
	EMI Standard	Meets Emissions to EN 55015, EN61547, EN61000-3-2, EN 61000-3-3	
OTHERS	Lifetime	50K hours full load 25°C	
	Case	8046GX	

Dimensions



LED Projects Limited

Address: Unit 8, St John's Court, Foster Road, Sevington, Ashford, Kent, TN24 0SJ
Tel: +44 01233 502380
www.led-lites.co.uk