

PCV100 Series

100W Non IP Constant Voltage Power Supplies



Case: 8030AA
158 x 61 x 36mm

Features

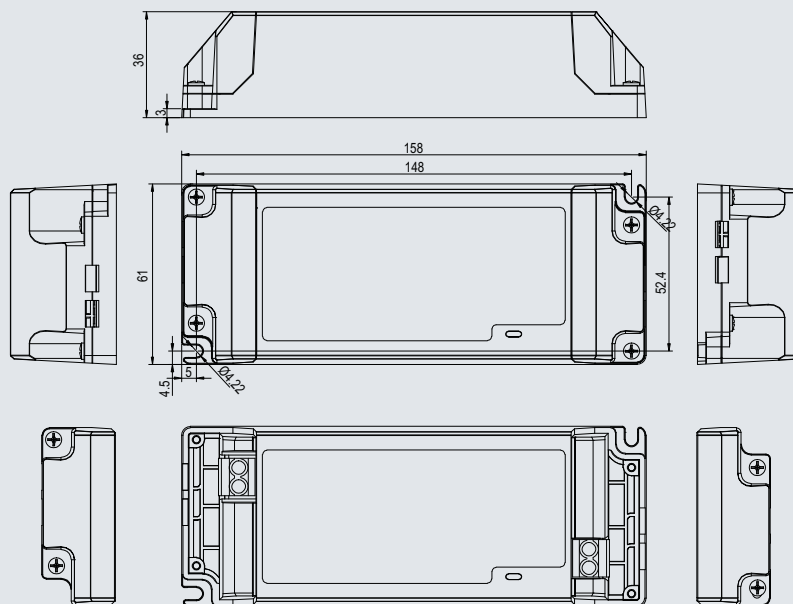
- Captive terminal screws for ease
- Snap lock cable strain relief
- LED Indicator for power on
- Over load, short circuit and thermal protection
- Class II product
- Safe no load operation
- Suitable for indoor lighting applications



Specification

INPUT	Voltage	100~240VAC	
	Frequency	47-----63Hz	
	Power Factor	0.95	
OUTPUT	MODEL No.	PCV12100	PCV24100
	Voltage	12V	24V
	Current	8.33A	4.16A
	Power	100W	100W
	R&N	240mV	360mV
	Efficiency	87%	87%
	Over Voltage	175%, output will shut down and latch off. Turn unit off/on to restart	
PROTECTIONS	Over Current	110~150%, output will shut down and latch off. Turn unit off/on to restart	
	Short Circuit	Should a short circuit occur the output will shut down and latch off. Turn unit off and on to restart	
	Over Temperature	Thermal, output will shut down and latch off. Turn unit off and on to restart	
	ENVIRONMENT	Temperature	Operating: 0~+40°C; Storage: -20~+85°C
SAFETY	Safety Standard	EN61347-2-13, EN61347-1, IEC61347-1, IEC61347-2-13	
	EMI Standard	Meets Emissions to EN 55015, EN61547, EN61000-3-2, EN 61000-3-3	
OTHERS	Lifetime	30K hours full load 25°C	
	Case	8030AA	

Dimensions



LED Projects Limited

Address: Unit 8, St John's Court, Foster Road, Sevington, Ashford, Kent, TN24 0SJ
Tel: +44 01233 502380
www.led-lites.co.uk