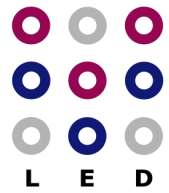


PCV2475

75W Non IP Constant Voltage Power Supplies



Case: 8043DH
184 x 61 x 32mm

Features

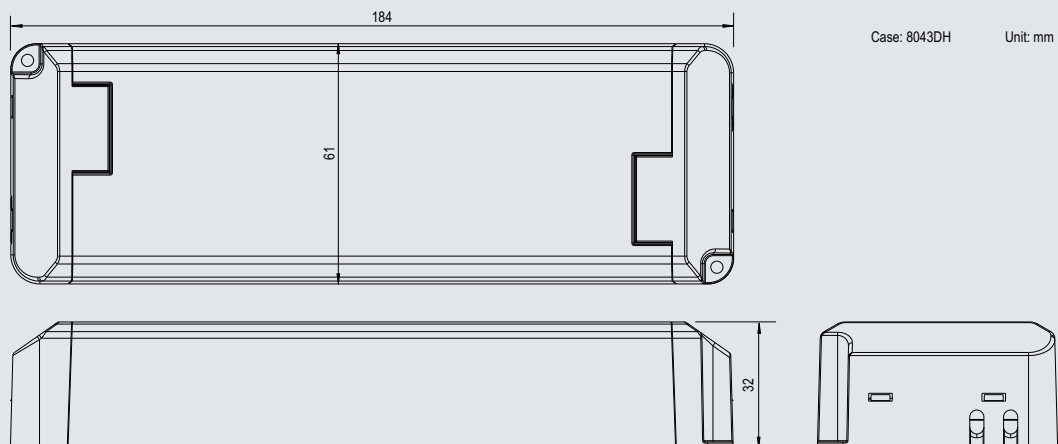
- Captive terminal screws for ease
- Snap lock cable strain relief
- Over load, short circuit and thermal protection
- SELV equivalent
- Class II product
- Safe no load operation
- Suitable for indoor lighting applications



Specification

INPUT	Voltage	100~240VAC
	Frequency	47-----63Hz
	Power Factor	0.95
MODEL No.		PCV2475
OUTPUT	Voltage	24V
	Current	3.15A
	Power	75W
	R&N	500mV
	Efficiency	85%
PROTECTIONS	Over Load	Auto recovery
	Over Temperature	Thermal
ELEC. CHAR.	Set Up Time	2s max.
ENVIRONMENT	Temperature	Operating: -20~+50°C; Storage: -20~+70°C
SAFETY	Safety Standard	Designed to meet EN61347-1, EN61347-2-13
	EMI Standard	Meets Emissions to EN 55015, EN61547, EN61000-3-2, EN 61000-3-3
OTHERS	Lifetime	50K hours full load 25°C
	Case	8043DH

Dimensions



LED Projects Limited

Address: Unit 8, St John's Court, Foster Road, Sevington, Ashford, Kent, TN24 0SJ
Tel: +44 01233 502380
www.led-lites.co.uk